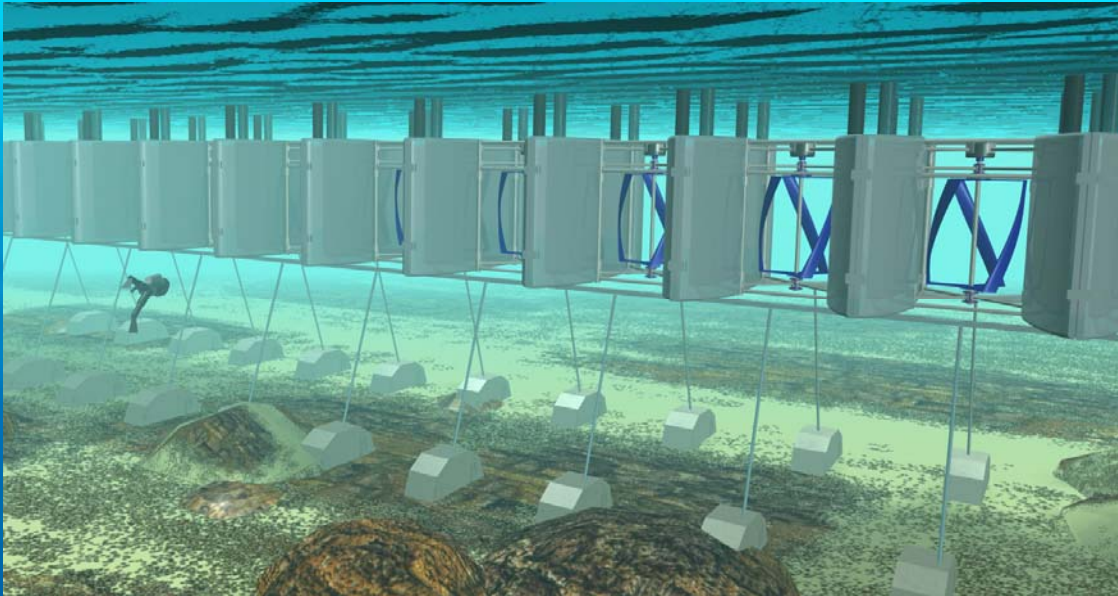


# TIDAL POWER SYSTEMS

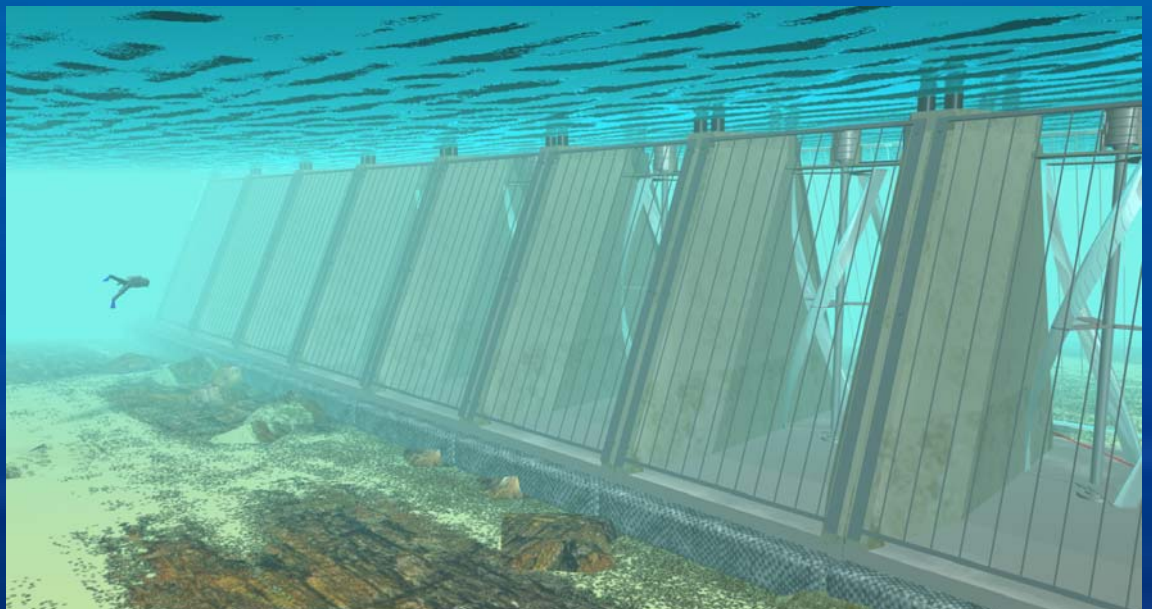
\* MODULAR \* SCALABLE \* CONTAINERISED



**PONTOON**  
LANDINGS  
PLATFORMS  
BRIDGES

**JETTIES**  
FLOATING OR  
FIXED

EXISTING  
OR NEW  
STRUCTURES



HydroGen Power Industries Pty Ltd

[www.h2oceanpower.com](http://www.h2oceanpower.com)

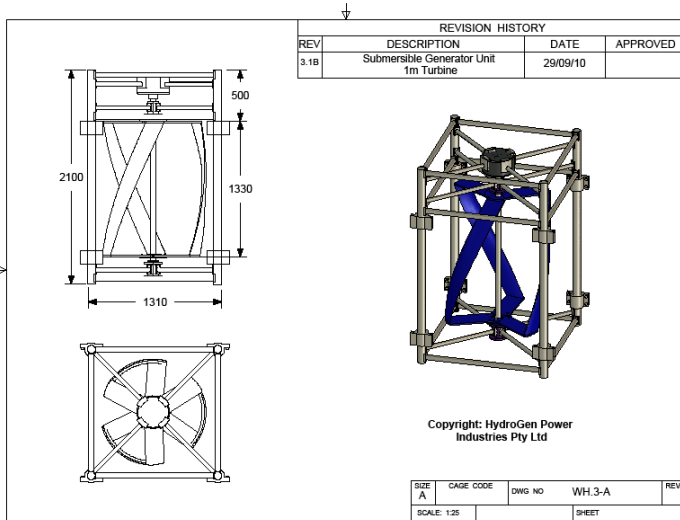
[info@h2oceanpower.com](mailto:info@h2oceanpower.com)

Tel: +61 3 9589 2259

*Standardised  
Generating  
Units*

# HydroGen Power Industries

*If you have the resource we can supply you with clean renewable energy.*

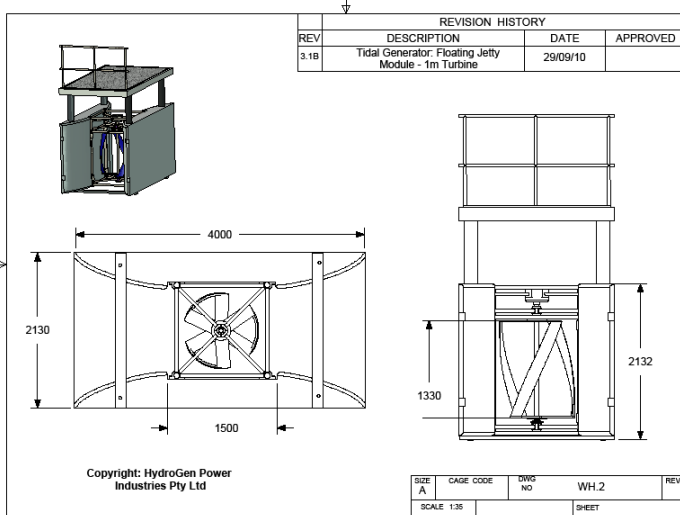


## Standard Power Modules

- Efficient construction
- Custom built to your jetty / bridge

### TYPICAL DUCTED TURBINE UNIT PERFORMANCE

Tidal Velocity (m/s)	RPM	Torque (Nm)	Power (kW)
1.00	48.11	86.84	0.44
1.50	71.10	198.32	1.48
2.00	93.37	357.94	3.50
2.50	114.94	567.94	6.84
3.00	135.79	830.68	11.81
3.50	155.94	1148.71	18.76
4.00	175.37	1524.70	28.00
4.50	194.09	1961.53	39.87



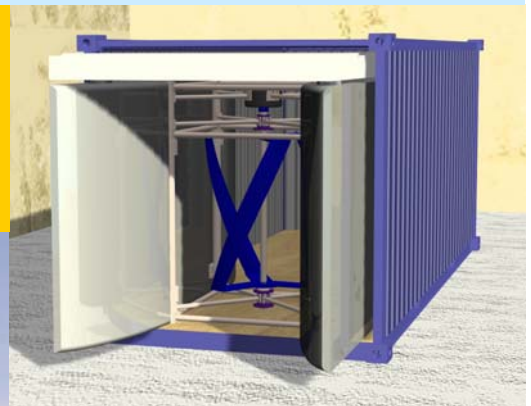
## Tidal Power pontoons

- Boat mode –
  - minimal or no permits
  - mooring only required
- Easy Installation -
  - moor in tidal stream and plug in

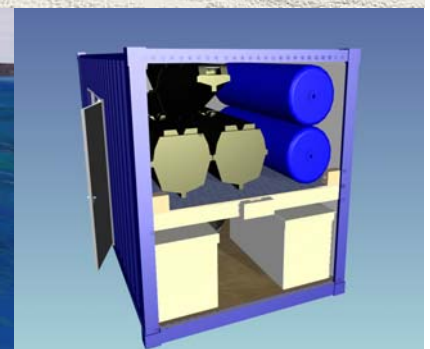
## Containerized for worldwide delivery

Markets - island resorts, remote communities councils, marinas, yacht clubs, mussel, pearl and fish farms, Loading wharves, oil platforms etc

Self contained installation systems



*HydroGen can install, maintain and operate your tidal power station.*



**OCEAN CURRENT ENERGY ■ CLEAN ■ RENEWABLE ■ RELIABLE ■ PREDICTABLE**